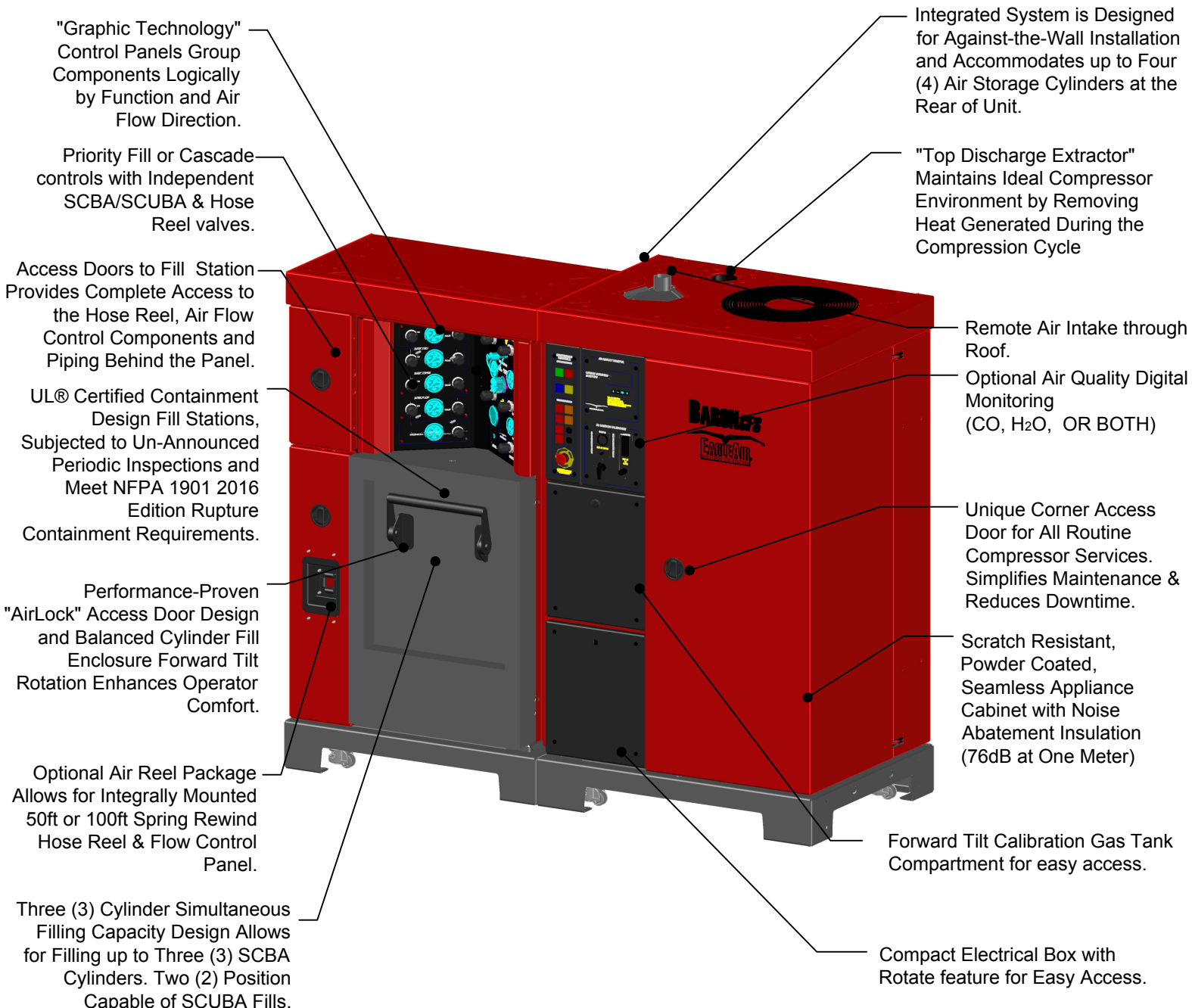




# BARONCFS

## Breathing Air Cylinder Fill System

*Standard & Optional Features*  
Shown with Manual Fill Control & Air Monitor System





# BARONCFS

## Breathing Air Cylinder Fill System

### Standard & Optional Features - CAT

Shown with Cylinder Accountability Tag System & Lab On Locale

"Graphic Technology" Control Panels Group Components Logically by Function and Air Flow Direction. Manual controls behind CAT system.

Cylinder Accountability Tag System for recorded fills & safety.

Access Doors to Fill Station Provides Complete Access to the Hose Reel, Air Flow Control Components and Piping Behind the Panel.

UL® Certified Containment Design Fill Stations, Subjected to Un-Announced Periodic Inspections and Meet NFPA 1901 2016 Edition Rupture Containment Requirements.

Performance-Proven "AirLock" Access Door Design and Balanced Cylinder Fill Enclosure Forward Tilt Rotation Enhances Operator Comfort.

Optional Air Reel Package Allows for Integrally Mounted 50ft or 100ft Spring Rewind Hose Reel & Flow Control Panel.

Three (3) Cylinder Simultaneous Filling Capacity Design Allows for Filling up to Three (3) SCBA Cylinders. Two (2) Position Capable of SCUBA Fills.

Integrated System is Designed for Against-the-Wall Installation and Accommodates up to Four (4) Air Storage Cylinders at the Rear of Unit.

"Top Discharge Extractor" Maintains Ideal Compressor Environment by Removing Heat Generated During the Compression Cycle

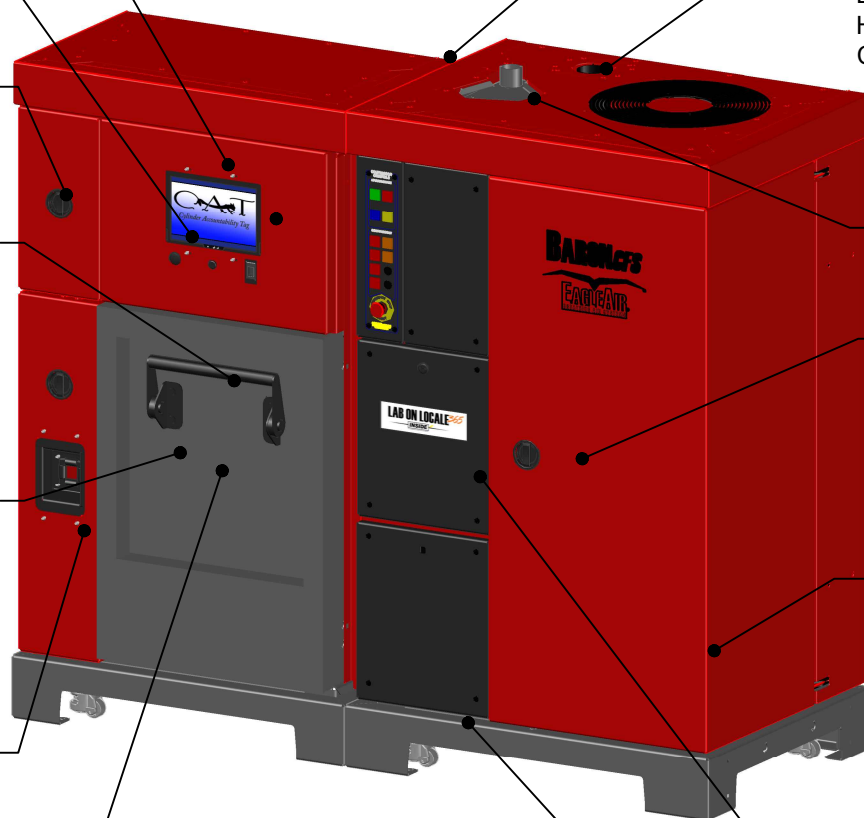
Remote Air Intake through Roof.

Unique Corner Access Door for All Routine Compressor Services. Simplifies Maintenance & Reduces Downtime.

Scratch Resistant, Powder Coated, Seamless Appliance Cabinet with Noise Abatement Insulation (76dB at One Meter)

Forward Tilt LabOnLocale Compartment for easy access. LabOnLocale upgrade removes hassle of Air sample testing

Compact Electrical Box with Rotate feature for Easy Access.

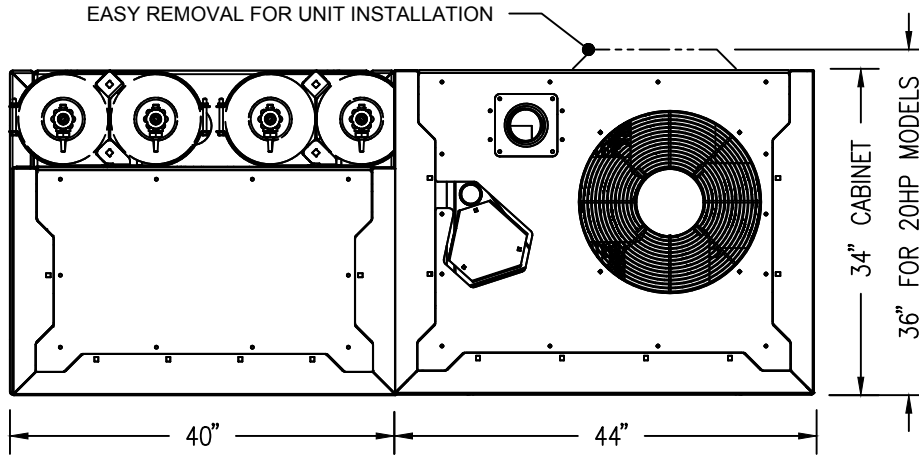




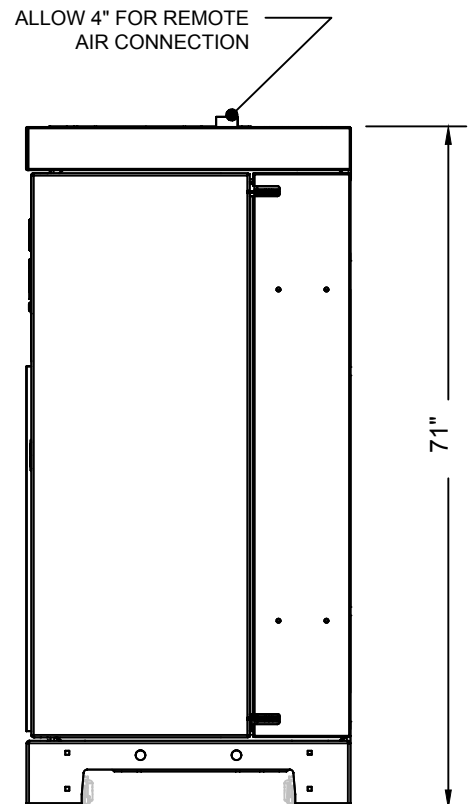
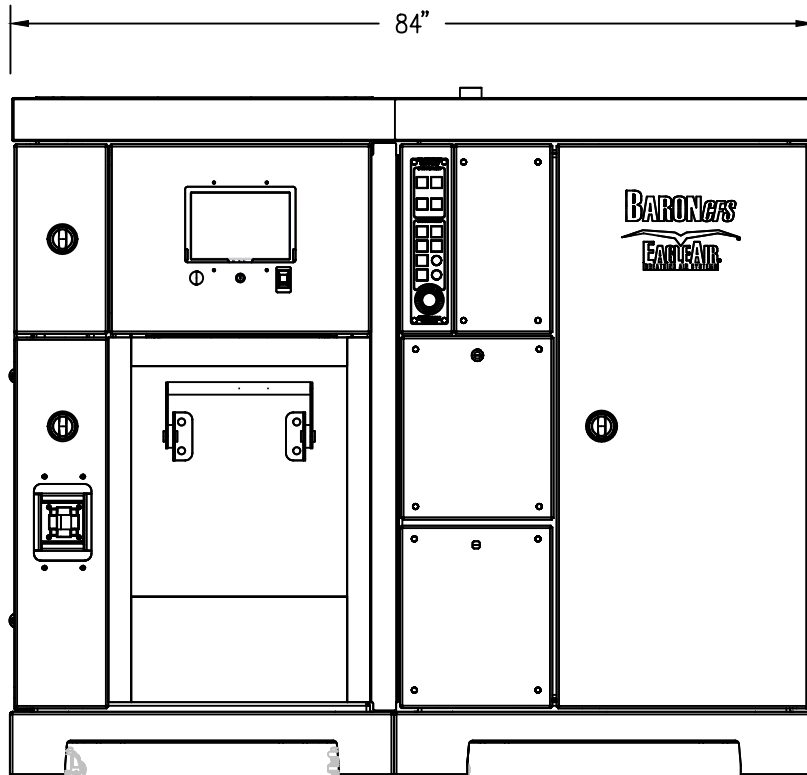
# BARONCFS

## Breathing Air Cylinder Fill System

### Dimensional Specifications



| Model  | CFM (LPM)  | HP | PSIG (BAR) | Weight Lb. (KG) |
|--------|------------|----|------------|-----------------|
| B4A10M | 14.0 (396) | 10 | 6000 (414) | 2975 (1350)     |
| B4A15M | 20.7 (586) | 15 | 6000 (414) | 3000 (1360)     |
| B4A20N | 27.0 (765) | 20 | 6000 (414) | 3200 (1450)     |





# BARONCFS

## Breathing Air Cylinder Fill System *Dimensional Specifications Open For Maintenance*



Compressor Gauge Panel behind compressor access door.

